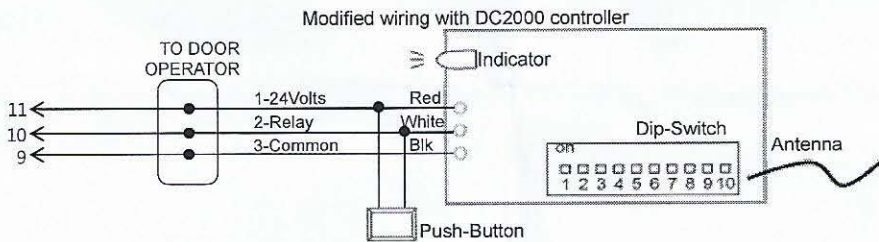
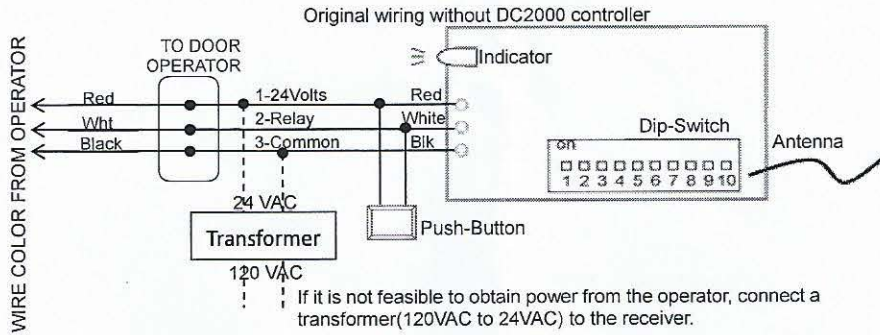


DC3000R Garage Door Operator digital receiver installations

Warning : Before installing the Doorlec Receiver, read these instructions carefully. If the receiver is improperly connected to the operator terminals, the operator will no function and the system may be damaged



High-Density installation

Where a number of receivers are to be installed in close proximity (as in an apartment complex). Install such receivers at least 10-feet apart. If receivers are installed closer than 10 feet apart, blocking may occur.

Battery Installing

Please find attached battery and removed the battery cover on the back side of transmitter. Then, snap the battery into it's connector

Digital Coding

Doorlec receivers and their associated transmitters are checked at the factory. You had better to change codes before installation.

Code Setting

Use a pencil or ball-point pen to set the ten keys on the transmitter and the receiver to the same ON/OFF positions. Following the 1-2-4-6-9-10 code example below.

