

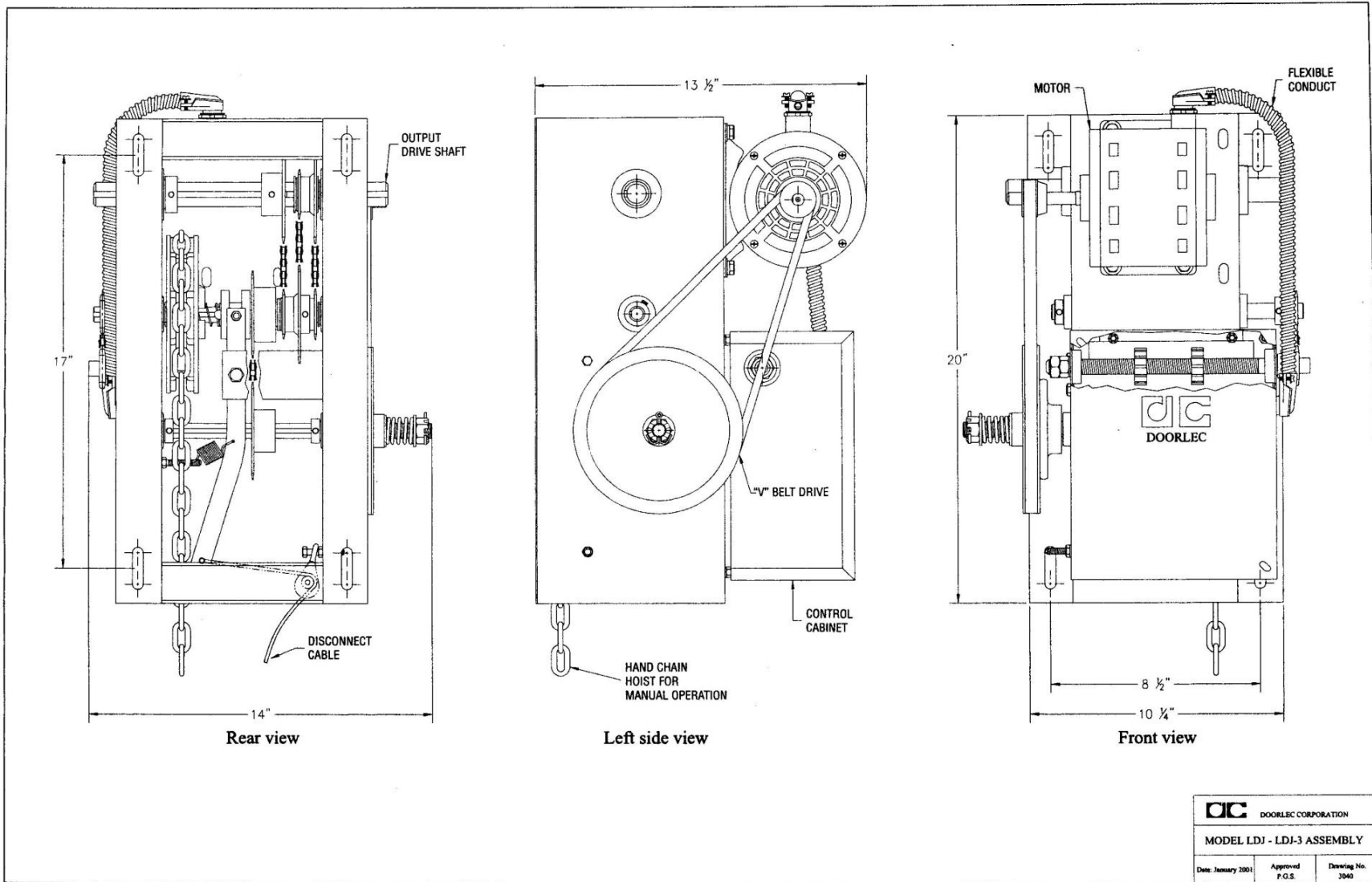
# Technical Information

LDJ and LDJ-3

---



235 AVE LABROSSE, POINTE-CLAIRE,  
MONTREAL, (QUEBEC) CANADA, H9R 1A3  
TEL.: (514) 695-0772 - 800-667-0772  
FAX: (514) 695-0248 - 800-667-0248  
[www.doorlec.com](http://www.doorlec.com)

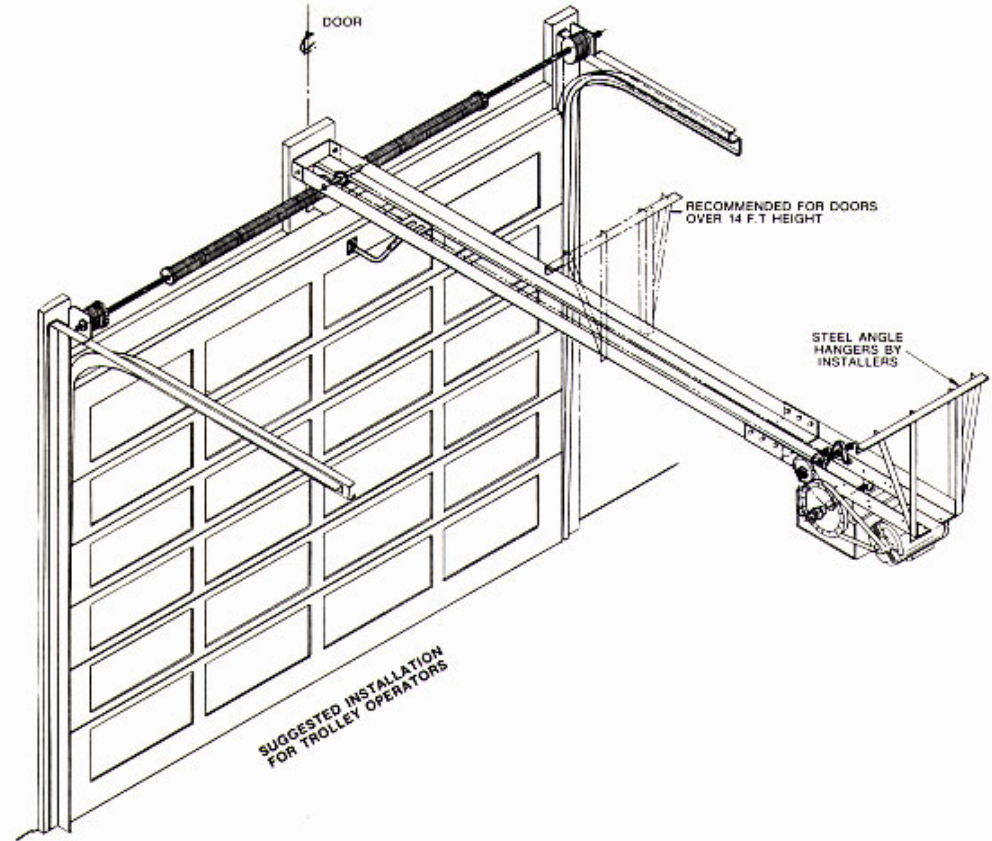
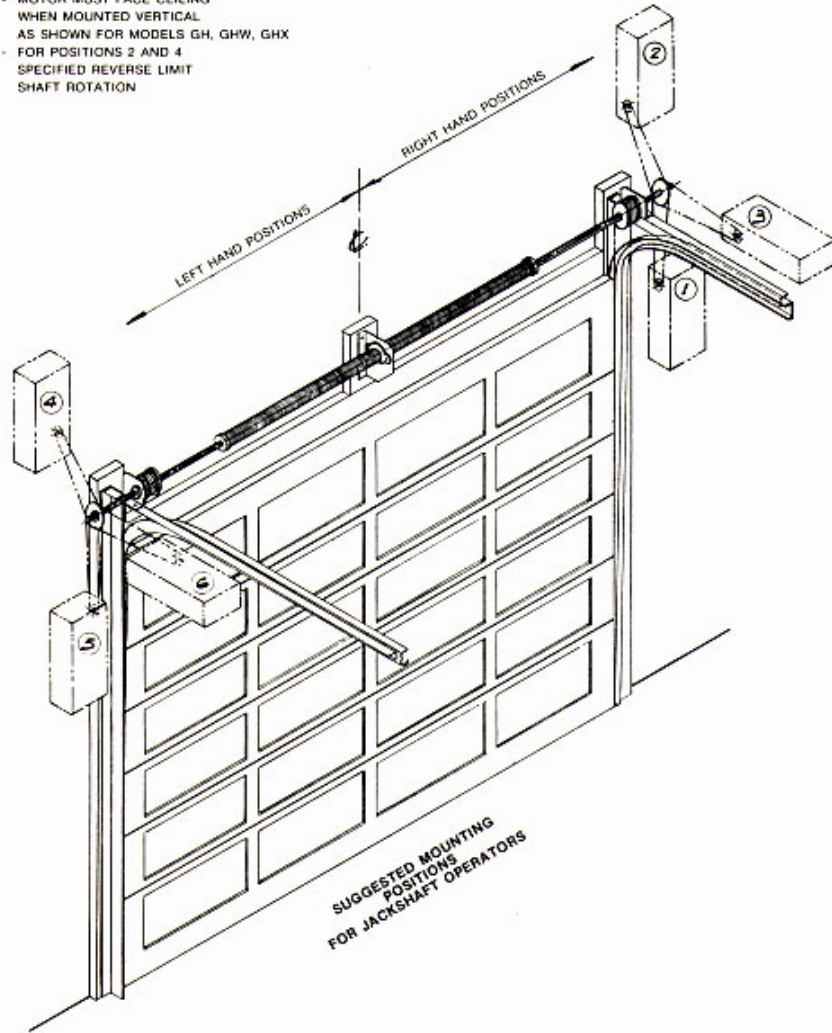


<b>CD</b> DOORLEC CORPORATION		
MODEL LDJ - LDJ-3 ASSEMBLY		
Date: January 2001	Approved P.G.S.	Drawing No. 3060

- POSITIONS**
- 1- BELOW DRIVEN SHAFT R.H.
  - 2- ABOVE DRIVEN SHAFT R.H.
  - 3- SHELF MOUNT R.H.
  - 4- ABOVE DRIVEN SHAFT L.H.
  - 5- BELOW DRIVEN SHAFT L.H.
  - 6- SHELF MOUNT L.H.

**NOTE**

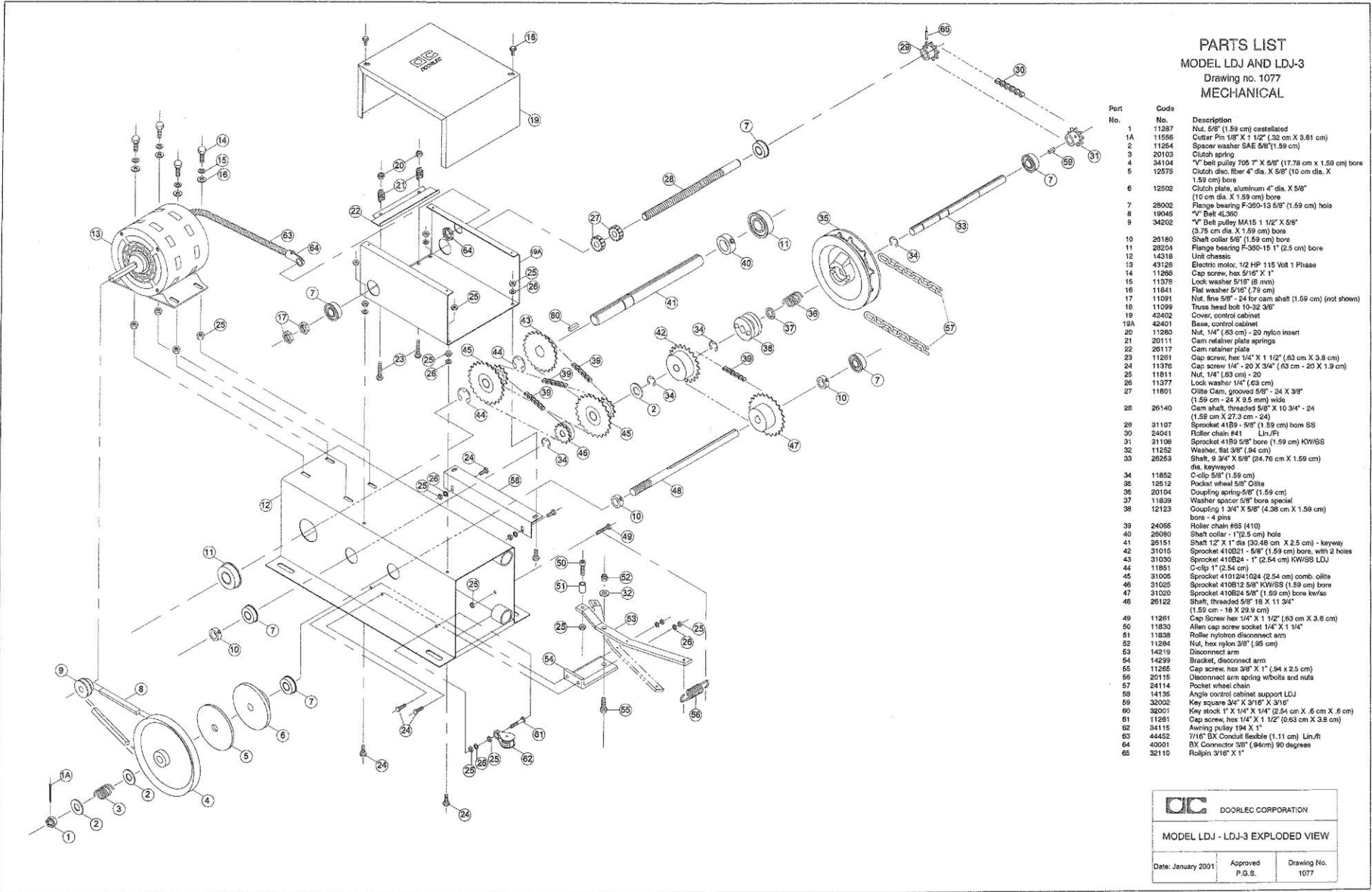
- MOTOR MUST FACE CEILING WHEN MOUNTED VERTICAL AS SHOWN FOR MODELS GH, GHW, GHX
- FOR POSITIONS 2 AND 4 SPECIFIED REVERSE LIMIT SHAFT ROTATION



This drawing and all information contained herein is confidential and the property of DOORLEC CORPORATION.  
It may not be reproduced in whole or in part without express written consent.

This document is loaned subject to be returned upon demand. It may not be used directly or indirectly for purposes detrimental to the interests of DOORLEC CORPORATION.  
Copyright 1985  
ALL RIGHTS RESERVED

<b>CC DOORLEC CORPORATION</b>		
<b>ELECTRIC OPERATORS JACKSHAFT &amp; TROLLEY INSTALLATION</b>		
Date: April 1987	Approved P.G.S.	Draw. No. <b>3027</b>



**PARTS LIST**  
**MODEL LDJ AND LDJ-3**  
 Drawing no. 1077  
**MECHANICAL**

Part No.	Code	Description
1	11287	Nut, 5/8" (1.59 cm) castellated
1A	11556	Outer Pin 1/8" X 1 1/2" (.32 cm X 3.81 cm)
2	11254	Spacer washer SAE 5/8" (1.59 cm)
3	20103	Clutch spring
4	34104	"V" belt pulley 706 7" X 5/8" (17.78 cm x 1.59 cm) bore
5	12575	Clutch disc, fiber 4" dia. X 5/8" (10 cm dia. X 1.59 cm) bore
6	12502	Clutch plate, aluminum 4" dia. X 5/8" (10 cm dia. X 1.59 cm) bore
7	28002	Flange bearing F-390-13 5/8" (1.59 cm) hole
8	19045	"V" Belt, 4L390
9	34202	"V" Belt pulley MA15 1 1/2" X 5/8" (3.75 cm dia. X 1.59 cm) bore
10	29180	Shaft collar 5/8" (1.59 cm) bore
11	28234	Flange bearing F-390-15 1" (2.5 cm) bore
12	14318	Unit chassis
13	43128	Electric motor, 1/2 HP 115 Volt 1 Phase
14	11298	Cap screw, hex 5/16" X 1"
15	11376	Lock washer 5/16" (8 mm)
16	11841	Flat washer 5/16" (.79 cm)
17	11091	Nut, fine 5/8" - 24 for cam shaft (1.59 cm) (not shown)
18	11099	Truss head bolt 10-32 3/8"
19	42402	Cover, control cabinet
19A	42401	Base, control cabinet
20	11280	Nut, 1/4" (.63 cm) - 20 nylon insert
21	20111	Cam retainer plate springs
22	26117	Cam retainer plate
23	11201	Cap screw, hex 1/4" X 1 1/2" (.63 cm X 3.8 cm)
24	11376	Cap screw 1/4" - 20 X 3/4" (.63 cm - 20 X 1.9 cm)
25	11811	Nut, 1/4" (.63 cm) - 20
26	11377	Lock washer 1/4" (.63 cm)
27	11801	Oilite Cam, grooved 5/8" - 24 X 3/8" (1.59 cm - 24 X 9.5 mm) wide
28	26140	Cam shaft, threaded 5/8" X 10 3/4" - 24 (1.59 cm X 27.3 cm - 24)
29	31107	Sprocket 41B9 - 5/8" (1.59 cm) bore SS
30	24041	Roller chain #41 Lin./FI
31	31108	Sprocket 41B9 5/8" bore (1.59 cm) KW/SS
32	11252	Washer, flat 3/8" (.94 cm)
33	28253	Shaft, 9 3/4" X 5/8" (24.76 cm X 1.59 cm) dia. keyway
34	11852	C-clip 5/8" (1.59 cm)
35	12512	Pocket wheel 5/8" Oilite
36	20104	Coupling spring-5/8" (1.59 cm)
37	11839	Washer spacer 5/8" bore special
38	12123	Coupling 1 3/4" X 5/8" (4.38 cm X 1.59 cm) bore - 4 pins
39	24066	Roller chain #65 (410)
40	28080	Shaft collar - 1 1/2 (3.8 cm) hole
41	26151	Shaft 12" X 1" dia (30.48 cm X 2.5 cm) - keyway
42	31015	Sprocket 410B21 - 5/8" (1.59 cm) bore, with 2 holes
43	31030	Sprocket 410B24 - 1" (2.54 cm) KW/SS LDJ
44	11851	C-clip 1" (2.54 cm)
45	31005	Sprocket 4101241024 (2.54 cm) comb. oilite
46	31020	Sprocket 410B12 5/8" KW/SS (1.59 cm) bore
47	31020	Sprocket 410B24 5/8" (1.59 cm) bore kerf
48	26122	Shaft, threaded 5/8" 18 X 11 3/4" (1.59 cm - 18 X 29.9 cm)
49	11261	Cap Screw hex 1/4" X 1 1/2" (.63 cm X 3.8 cm)
50	11830	Allen cap screw socket 1/4" X 1 1/4"
51	11838	Roller nylon disconnect arm
52	11294	Nut, hex nylon 3/8" (.95 cm)
53	14219	Disconnect arm
54	14299	Bracket, disconnect arm
55	11265	Cap screw, hex 3/8" X 1" (.94 x 2.5 cm)
56	20115	Disconnect arm spring w/balls and nuts
57	24114	Pocket wheel chain
58	14135	Angle control cabinet support LDJ
59	32002	Key square 3/4" X 3/16" X 3/16"
60	32001	Key stock 1" X 1/4" X 1/4" (2.54 cm X .6 cm X .6 cm)
61	11281	Cap screw, hex 1/4" X 1 1/2" (.63 cm X 3.8 cm)
62	34115	Awning pulley 194 X 1"
63	44452	7/16" BX Conduit flexible (1.11 cm) Lin./ft
64	43001	BX Conduit 3/8" (.94cm) 90 degree
65	32110	Rollpin 3/16" X 1"

<b>DOORLEC CORPORATION</b>		
<b>MODEL LDJ - LDJ-3 EXPLODED VIEW</b>		
Date: January 2001	Approved P.G.S.	Drawing No. 1077

Can be use for doors up to 14 ft. high (4.20m 168 sq.ft. (56 sq. meter) maximum 15 cycles per hour

MODEL	H.P.	VOLTAGE- PHASE	CONTROL CIRCUIT
LDJ	½	115-1	24V.A.C.
LDJ-3	½	115-1	24V.A.C.